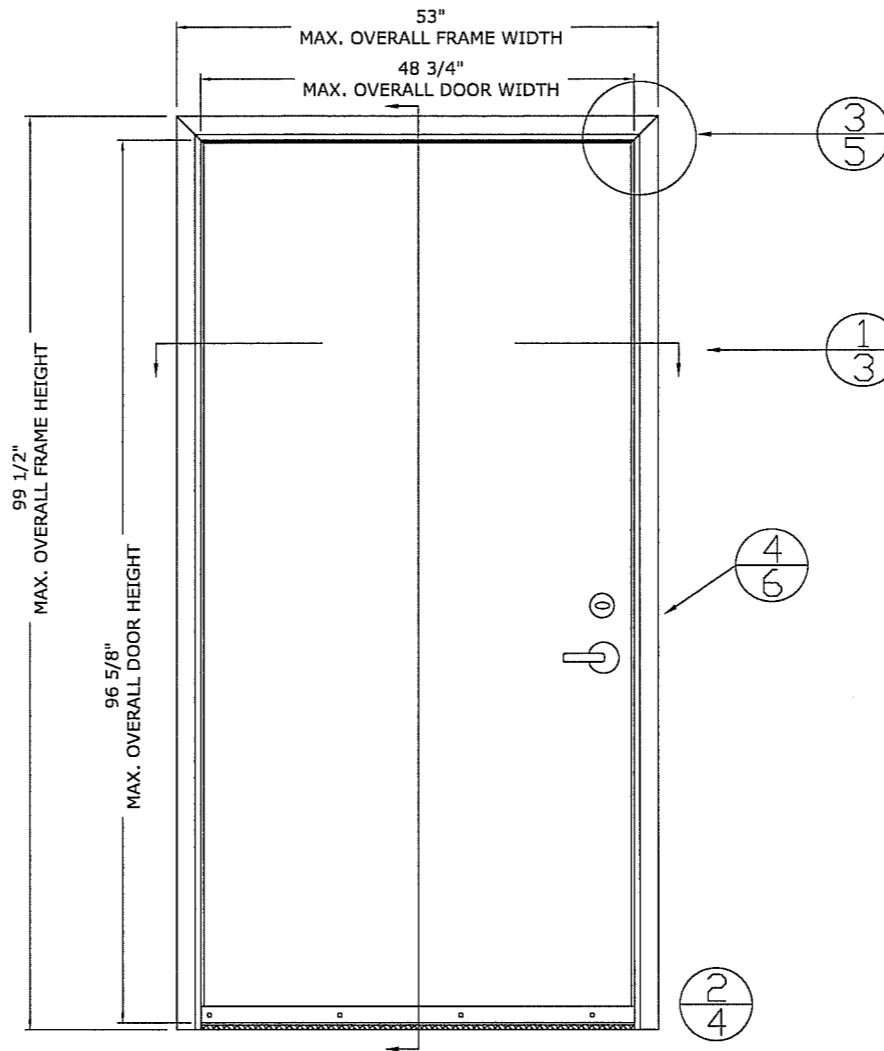


INTERIOR VIEW
FIBERGLASS SINGLE FLUSH INSWING FIRE DOOR 4' X 8'
ELEVATION



EXTERIOR VIEW
FIBERGLASS SINGLE FLUSH INSWING FIRE DOOR 4' X 8'
ELEVATION

CP 14 FBC FIRE DOOR

TABLE OF CONTENTS

PAGE #	DESCRIPTION
1	ELEVATIONS AND GENERAL NOTES
2	ANCHORING AND ANCHORING NOTES & BILL OF MATERIALS
3	HORIZONTAL CROSS SECTIONS
4	VERTICAL CROSS SECTIONS
5	FRAME CORNER ASSEMBLY & HINGE DETAIL
6	MORTISE LOCK & STRIKE DETAIL
7	FRP ACCESSORIES

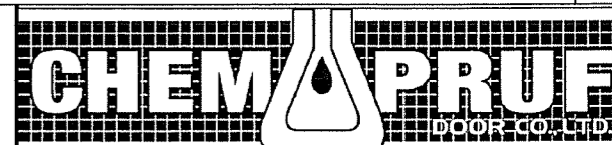
DESIGN PRESSURE CAPACITY
+ 40 PSF / - 40 PSF
MAXIMUM
LARGE MISSILE IMPACT

NOTE:

1. THE PRODUCT SHOWN HEREIN IS DESIGNATED AND MANUFACTURED TO COMPLY WITH THE FLORIDABUILDING CODE (FBC) INCLUDING THE HIGH VELOCITY HURRICANE ZONE (HVHZ).
2. BUCK AND MASONRY OPENING TO BE DESIGNED AND ANCHORED TO PROPERLY TRANSFER ALL LOADS TO STRUCTURE. BUCK AND MASONRY OPENING IS THE RESPONSIBILITY OF THE ARCHITECT OR ENGINEER OF RECORD.
3. SHIM AS REQUIRED AT EACH INSTALLATION ANCHOR WITH LOAD BEARING SHIM. SHIM WHERE SPACE OF 1/16" OR GREATER OCCURS, MAXIMUM TOTAL ALLOWANCE SHIM STACK 1/4".
4. USE LATEX CAULK FOR PERIMETER SEAL AROUND EXTERIOR OF DOORS.
5. DOOR FRAME AND DOOR PANEL MATERIAL: FRP
6. SEAL HEAD, SILL AND JAMB CORNERS WITH SMALL JOINT SEAM SEALER.
7. PERIMETER FASTENERS SHALL BE AS LISTED AND SHOWN IN THESE DRAWINGS. EMBEDMENT DEPTH TO BASE MATERIAL SHALL BE BEYOND ANY WALL DRESSING OR STUCCO.
8. DOORS AND FRAMES AS TESTED ARE LARGE AND SMALL MISSILE IMPACT RESISTANT. SHUTTERS ARE NOT REQUIRED.
9. THIS DOOR DOES NOT MEET THE WATER REQUIREMENTS OF THE FLORIDA BUILDING CODE UNLESS PROTECTED BY A SUITABLE OVERHANG.
10. WOOD FRAMING INSTALLATIONS ARE ASSUMED TO BE 2X S-P-F (G=0.42) OR DENSER. WOOD FRAMING SHALL BE GREATER THAN THE WINDOW FRAME WIDTH. TAPERED OR PARTIAL WOOD BUCKS ARE NOT ALLOWED. FOR INSTALLATION INTO WOOD FRAMING USE #14 WOOD SCREWS WITH SUFFICIENT LENGTH TO OBTAIN A 1-1/2" PENETRATION. ANCHORS SHALL BE LOCATED AS DESCRIBED IN THE ELEVATION DETAIL.
11. CONCRETE INSTALLATIONS ASSUME A MINIMUM COMPRESSIVE STRENGTH FOR CONCRETE OF 3,200 PSI. USE A 1/4" ITW TAPCON, A 1/4" POWERS TAPPER OR A 1/4" CRETE-FLEX SS4 ANCHOR FOR INSTALLATION INTO CONCRETE. THE ANCHOR SHALL HAVE A MINIMUM OF 1-1/4" EMBEDMENT. PLEASE SEE TABLE FOR EMBEDMENT REQUIREMENTS FOR EACH ANCHOR. ANCHORS SHALL BE LOCATED AS DESCRIBED IN THE ELEVATION DETAIL.
12. METAL FRAMING INSTALLATION SHALL BE A MINIMUM OF 16 GAUGE 33KSI STRENGTH METAL. USE A #14 GRADE 2 SMS WITH SUFFICIENT LENGTH TO ACHIEVE FULL PENETRATION OF THE METAL FRAMING AND EMBED A 1/4" BEYOND THE DRILL POINT.
13. UNITS SHALL BE INSTALLED AS DESCRIBED IN THESE INSTALLATION INSTRUCTIONS AND ALSO IN CONFORMANCE TO THE MANUFACTURER'S PUBLISHED INSTRUCTIONS.

FOR FBC USE:

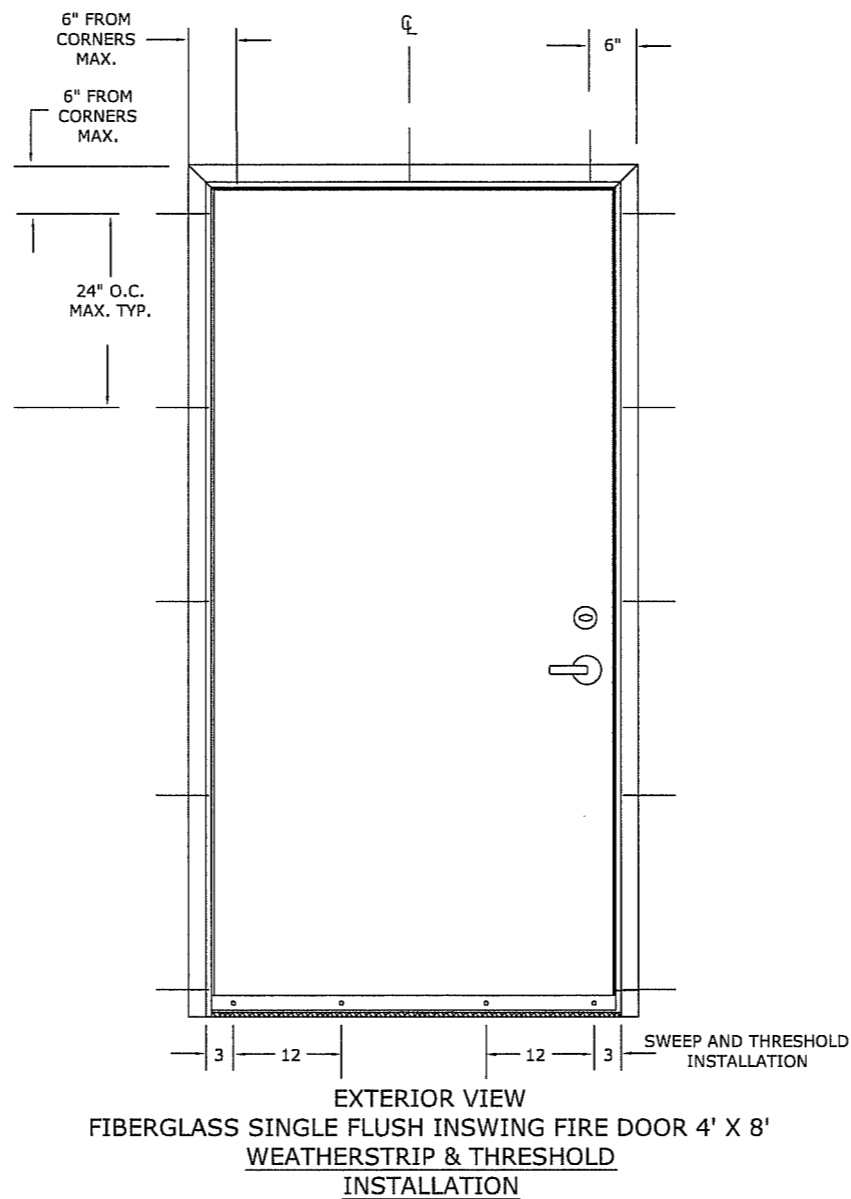
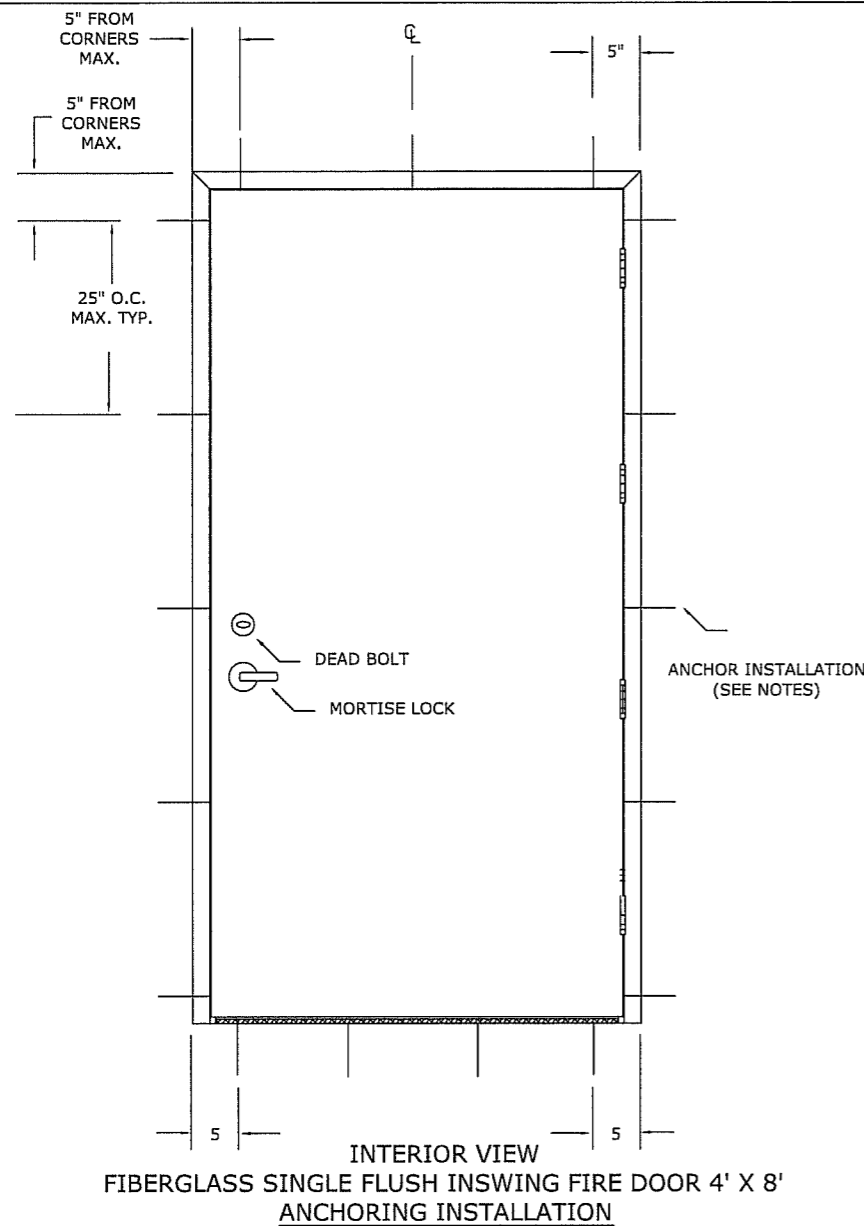
SCOTT WOLTERS
FL PE# 62354
SEAL: *Scott Wolters*
WOLTERS ENGINEERING
(CDA# 27194)
322 BUCHANAN #807
HOLLYWOOD, FL 33019
PH/FAX(954) 921-5828
APR 30 2010



P.O. BOX 4560 BROWNSVILLE, TX 78523
1-800-444-6924 / FAX: (956) 544-7943
www.chem-pruf.com

FIBER GLASS SINGLE FLUSH FIRE DOOR
ELEVATIONS AND GENERAL NOTES

DWG. NO.:	FBC TEST	PAGE:	1 OF 7
SCALE	DWN BY	REV. #	DATE
N.T.S.	G.M.	1	04/04/08



ANCHORING NOTES:

1. SET FRAME WITH SUPPLIED ANCHORS. FIELD DRILL 1/4" HOLE INTO FRAME AND COUNTER SINK ALL HOLES 82 DEGREES, SO ANCHOR HEAD WILL BE FLUSH WITH FRAME. PLACE ANCHORS SO THEY PENETRATE SOLID STRUCTURE. PLEASE SEE TABLE FOR EMBEDMENT REQUIREMENTS FOR EACH ANCHOR. ANCHORS SHALL BE LOCATED AS DESCRIBED IN THE ELEVATION DETAIL.
2. ALL INSTALLATION ANCHORS MUST BE MADE OF CORROSIVE RESISTANT MATERIAL.

ANCHORAGE SCHEDULE AND DESCRIPTION				
SUBSTRATE	ANCHOR	EMBEDMENT	ANCHOR SPACING	EDGE DISTANCE
WOOD FRAMING	#14 WOOD SCREW	MINUMIM 1-1/2"	MINUMIM 1-1/2"	MINUMIM 2"
CONCRETE	1/4" TAPPER	MINUMIM 1-3/8"	MINUMIM 2-1/2"	MINUMIM 2-1/2"
CONCRETE	1/4" TAPCON	MINUMIM 1-1/4"	MINUMIM 2-1/2"	MINUMIM 2-1/2"
CONCRETE	1/4" CRETE FLEX	MINUMIM 1-1/4"	MINUMIM 2-1/2"	MINUMIM 2-1/2"
STEEL STUD	#14-20 GR 2 SMS	MINUMIM 1"	MINUMIM 1-1/2"	MINUMIM 2"

BILL OF MATERIAL

ITEM	DESCRIPTION	MATERIAL
1	FIRE RATED PLATE	
2	FIRE STOP	
3	MINERAL CORE	
4	2" FRAME JAMB 5-3/4" THICK	
	4A FIRE RETARDANT GELCOAT	
	4B COMBIFLOW MAT	
	4C FIRE STOP CORE	
	4D FIRE RETARDANT RESIN	
	4E MINERAL CORE	
5	CAULK MATERIAL (RTD Seal -Silicone-)	
6	HINGE (MCKINNEY 2714 SERIES)	
7	1/4"-20 SELF DRILLING SCREW	
8	MORTISE LOCK (TARGET 8200 SERIES)	
9	SUBSTRATE	
10	2" HEADER 5-3/4" THICK	
	10A FIRE RETARDANT GELCOAT	
	10B COMBIFLOW MAT	
	10C FIRE STOP CORE	
	10D FIRE RETARDANT RESIN	
11	CHEM-PRUF FIRE RATED WEATHERSTRIP	
	11A STANDARD GELCOAT	
	11B PULTRUDED WEATHERSTRIP	
12	CHEM-PRUF FIRE RATED THRESHOLD	
	12A STANDARD GELCOAT	
	12B FRP THRESHOLD	
13	CHEM-PRUF FIRE RATED SWEEP	
	13A STANDARD GELCOAT	
	13B FRP SWEEP	
14	1/4"-20 SELF DRILLING SCREW	

FOR FBC USE:

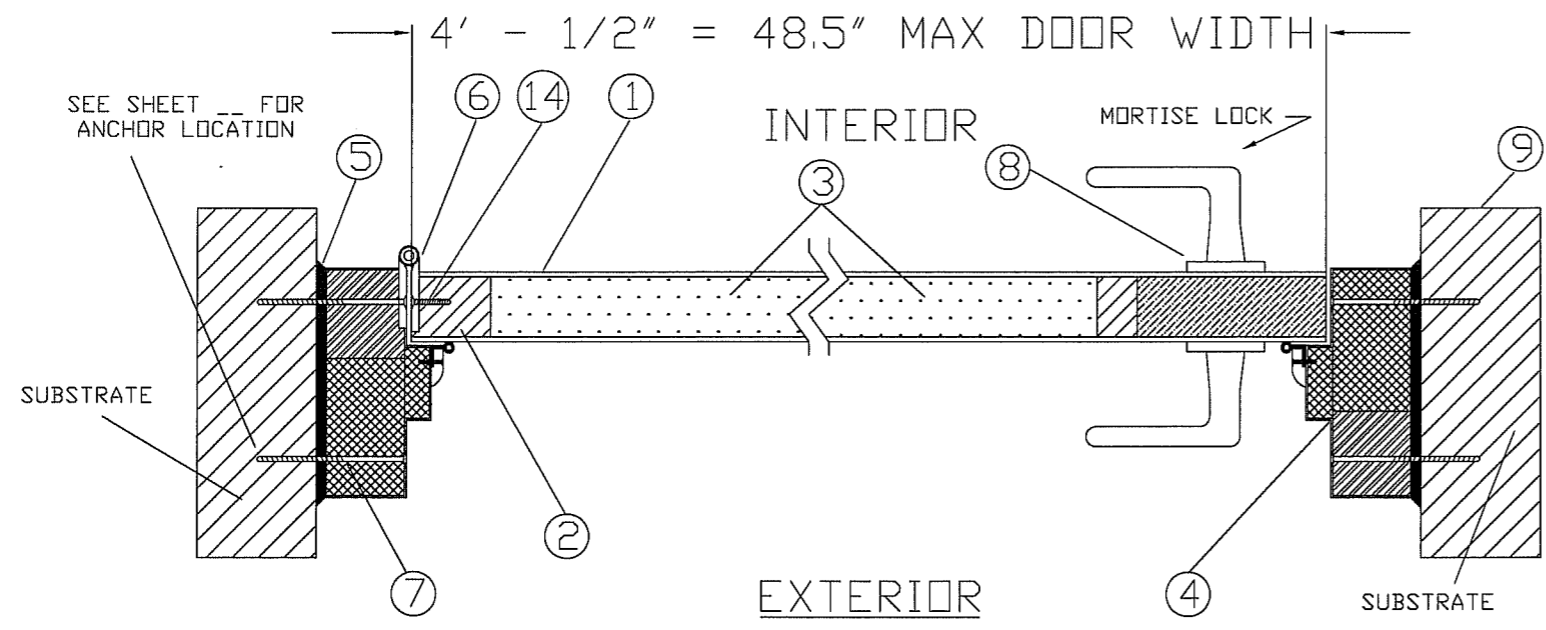
SCOTT WOLTERS
FL PE# 62354
SEAL: *Scott Wolters*
WOLTERS ENGINEERING
(CDA# 27194)
322 BUCHANAN #807
HOLLYWOOD, FL 33019
PH/FAX(954) 921-5828
APR 30 2010



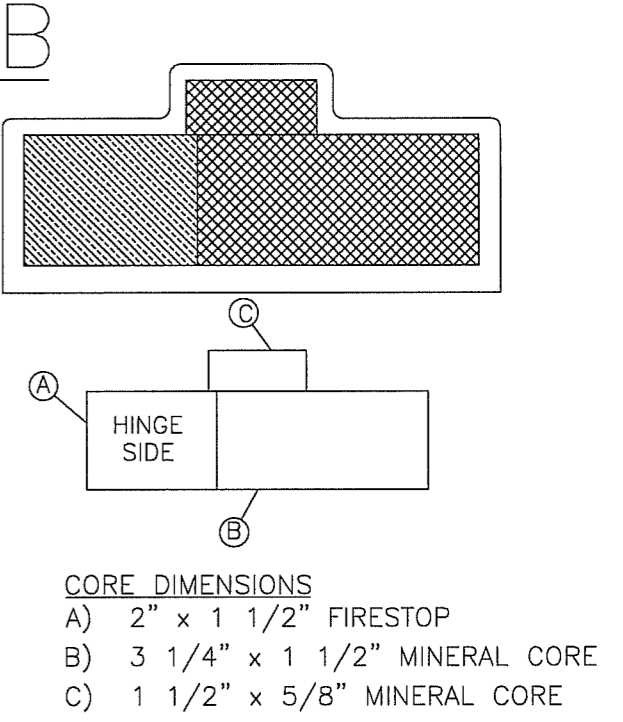
P.O. BOX 4560 BROWNSVILLE, TX 78523
1-800-444-6924 / FAX: (956) 544-7943
www.chem-pruf.com

FIBER GLASS SINGLE FLUSH FIRE DOOR
ANCHORING INSTALLATION & BILL OF MATERIAL

DWG. NO.:	FBC-TEST	PAGE:	2 OF 7
SCALE	DWN BY	REV. #	DATE
N.T.S.	G.M.	1	04/04/08



- FRAME CONSTRUCTION
- 4A). 1 LAYER COMBIFLO MAT
 - 4B). GELCOAT 25 MILLS FIRE RETARDANT
 - 4C). CORE - FIRESTOP
 - 4D). RESIN - WITH FILLER
 - 4E). CORE - MINERAL CORE



① HORIZONTAL CROSS-SECTION

SCOTT WOLTERS
FL PE# 62354

WOLTERS ENGINEERING
(COA# 27194)
322 BUCHANAN #807
HOLLYWOOD, FL 33019
PH/FAX:(954) 921-5828

SEAL: *Scott Wolters*

APR 30 2010

FOR FBC USE:

CHEM PRUF

P.O. BOX 4560 BROWNSVILLE, TX 78523
1-800-444-6924 / FAX: (956) 544-7943
www.chem-pruf.com

FIBER GLASS SINGLE FLUSH FIRE DOOR
HORIZONTAL CROSS-SECTION

DWG. NO.:	FBC-TEST	PAGE:	3 OF 7
SCALE	DWN BY	REV. #	DATE
N.T.S.	G.M.	1	04/04/08

PERIMETER ANCHORS
SEE NOTE ON PAGE 1

SUBSTRATE
SEE NOTE ON PAGE 1

DOOR TOP

PERIMETER CAULK

HEADER

WEATHERSTRIP

DOOR

MINERAL CORE

EXTERIOR

INTERIOR

FIRESTOP

SWEEP

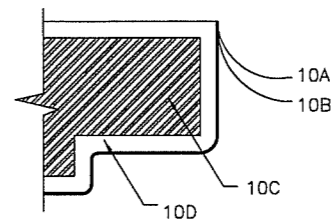
FLOOR LEVEL

8' - 1 1/2" MAX DOOR HEIGHT

NOTE:
PLEASE SEE SHEET #7 FOR
AVAILABLE THRESHOLD
OPTIONS

2
4 VERTICAL CROSS-SECTION

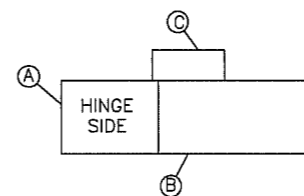
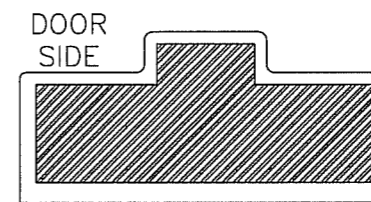
SUBSTRATE
SEE NOTE ON PAGE 1



BILL OF MATERIAL	
#	DESCRIPTION
10A	FIRE RETARDANT GELCOAT
10B	COMBIFLOW MAT
10C	FIRE STOP CORE
10D	FIRE RETARDANT RESIN

FRAME CONSTRUCTION

- 10A). 1 LAYER COMBIFLO MAT.
- 10B). GELCOAT 25 MILLS FIRE RETARDANT.
- 10C). CORE - FIRE STOP
- 10D). RESIN - RESIN WITH FILLER.



CORE DIMENSIONS

- A) 2" x 1 1/2" FIRESTOP.
- B) 3 1/4" x 1 1/2" FIRESTOP.
- C) 1 1/2" x 5/8" FIRESTOP.

HEADER

FOR FBC USE:

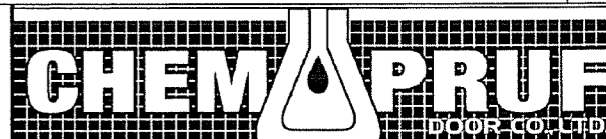
SCOTT WOLTERS
FL PE# 62354

SEAL:

Scott Wolters

WOLTERS ENGINEERING
(COA# 27194)
322 BUCHANAN #807
HOLLYWOOD, FL 33019
PH/FAX(954) 921-5828

APR 30 2010

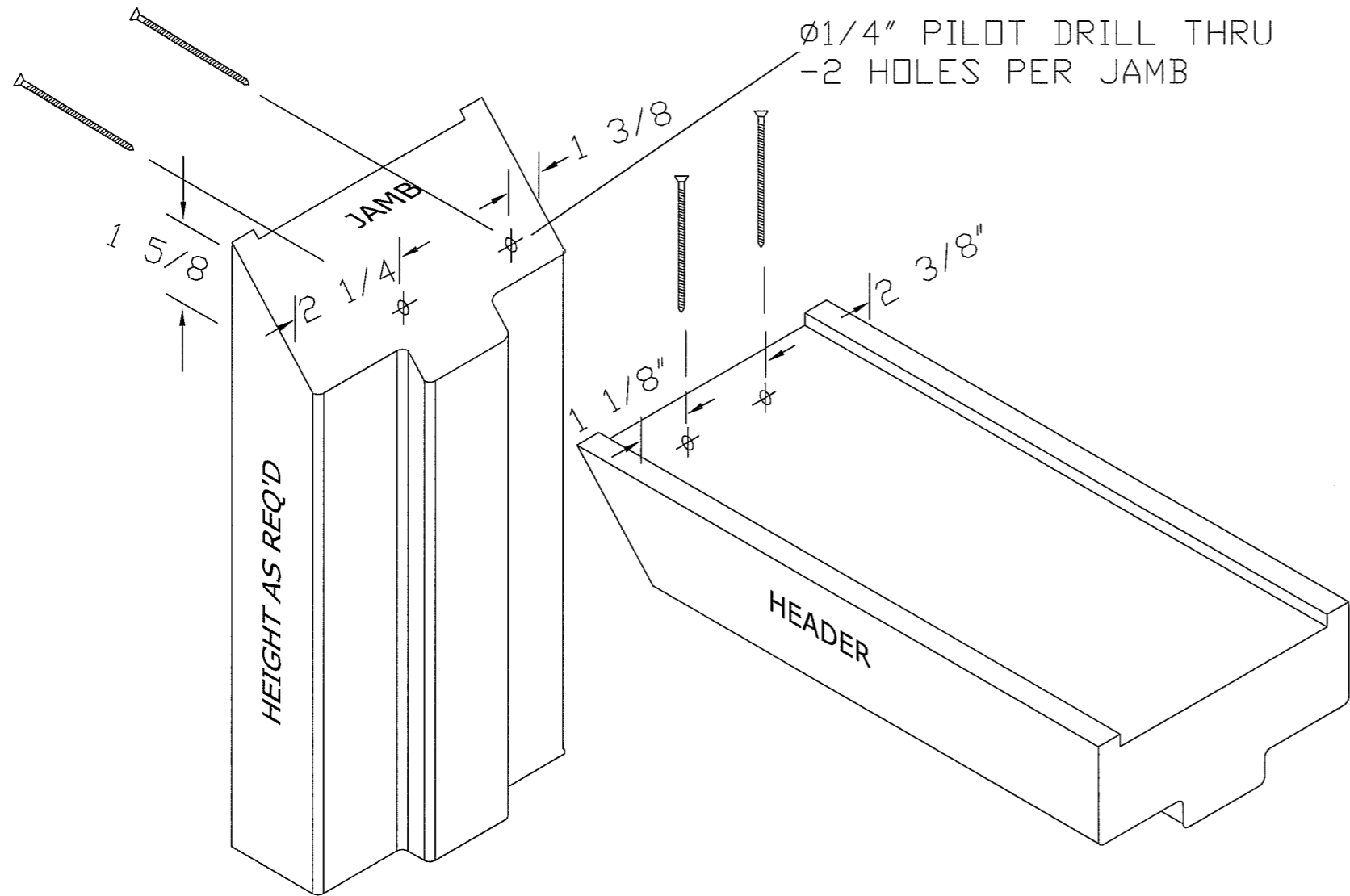


P.O. BOX 4560 BROWNSVILLE, TX 78523
1-800-444-6924 / FAX: (956) 544-7943
www.chem-pruf.com

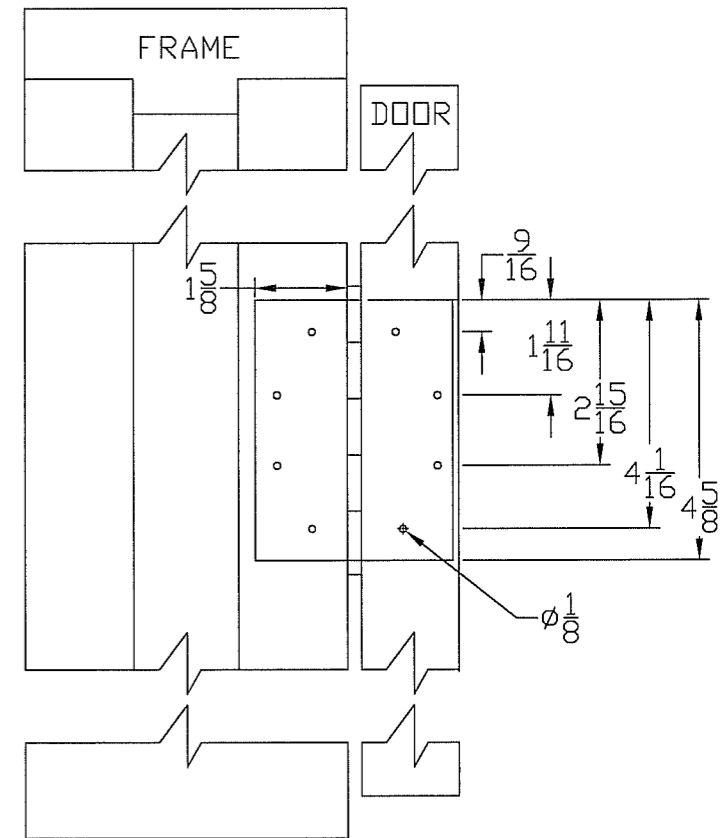
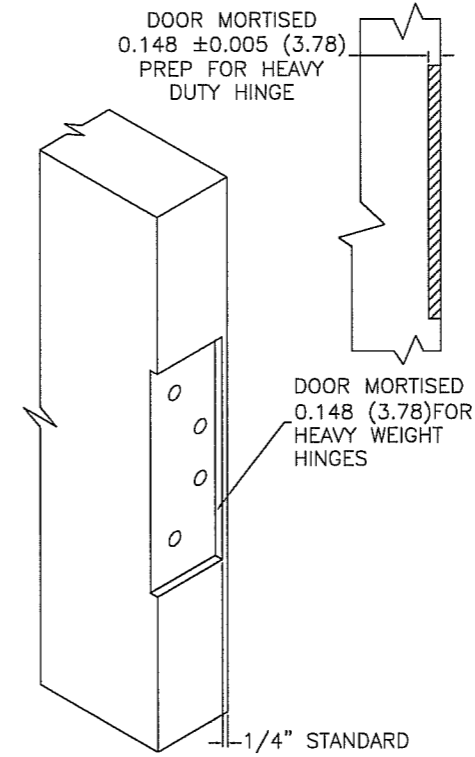
FIBER GLASS SINGLE FLUSH FIRE DOOR
VERTICAL CROSS-SECTION

DWG. NO.:	FBC TEST	PAGE:	4 OF 7
SCALE	DWN BY	REV. #	DATE
N.T.S.	G.M.	1	04/04/08

HEADER AND JAMBS ARE ATTACHED
USING #10 x 2 1/2" FLAT HEAD
PHILIPS SCREWS



③ FRAME CORNER ASSEMBLY



⑤ HINGE
DETAIL

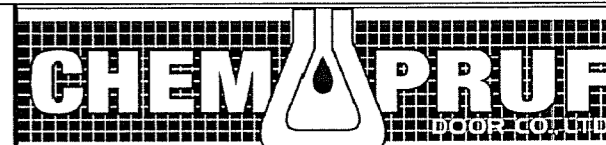
FOR FBC USE:

SCOTT WOLTERS
FL PE# 62354

SEAL: *Scott Wolters*

WOLTERS ENGINEERING
(COA# 27194)
322 BUCHANAN #807
HOLLYWOOD, FL 33019
PH/FAX(954) 921-5828

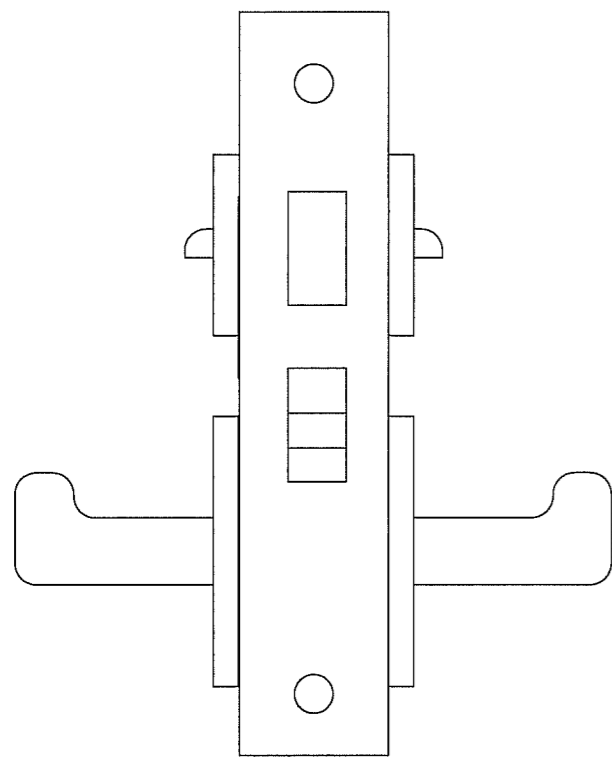
APR 30 2010



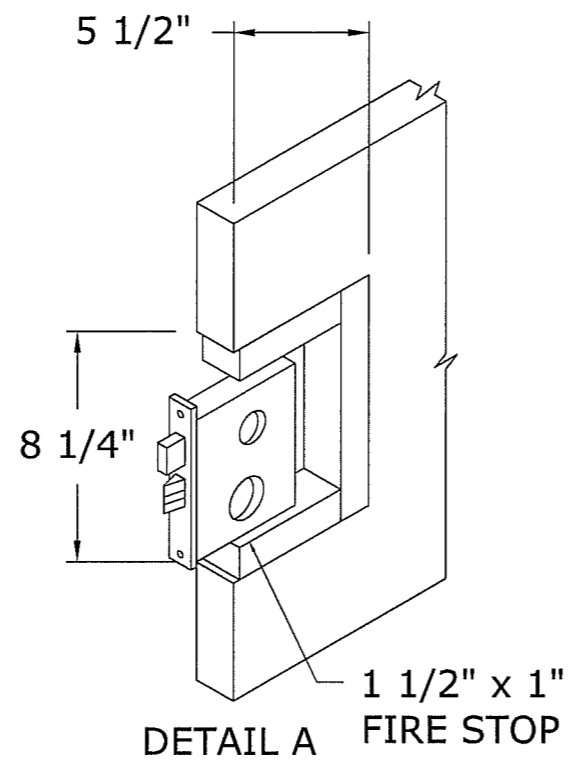
P.O. BOX 4560 BROWNSVILLE, TX 78523
1-800-444-6924 / FAX: (956) 544-7943
www.chem-pruf.com

FIBER GLASS SINGLE FLUSH FIRE DOOR
FRAME CORNER ASSEMBLY & HINGE DETAIL

DWG. NO.: FCB-TEST		PAGE: 5 OF 7	
SCALE	DWN BY	REV. #	DATE
N.T.S.	G.M.	1	04/04/08



8 MORTISE LOCK W/ DEAD BOLT



MORTISE POCKET

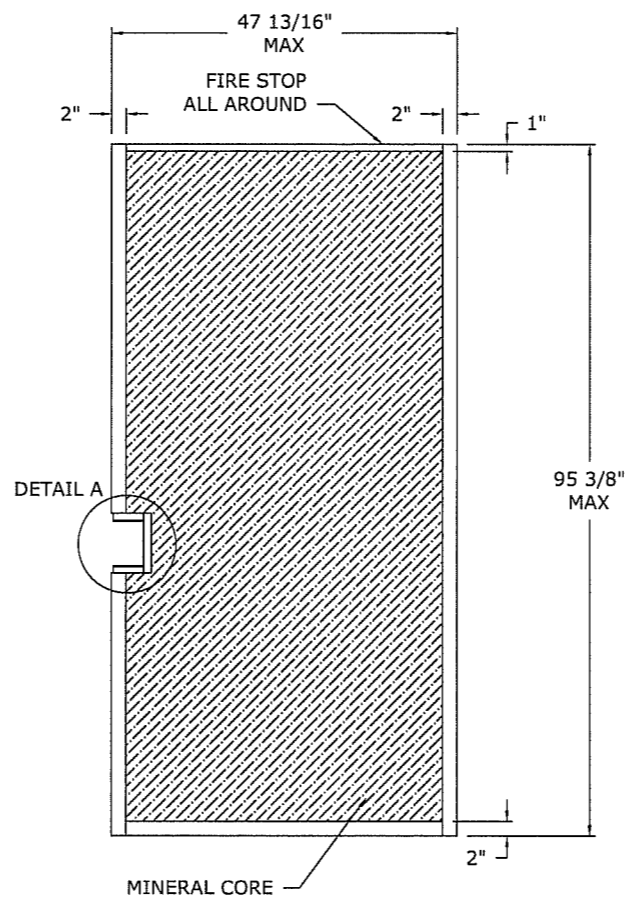
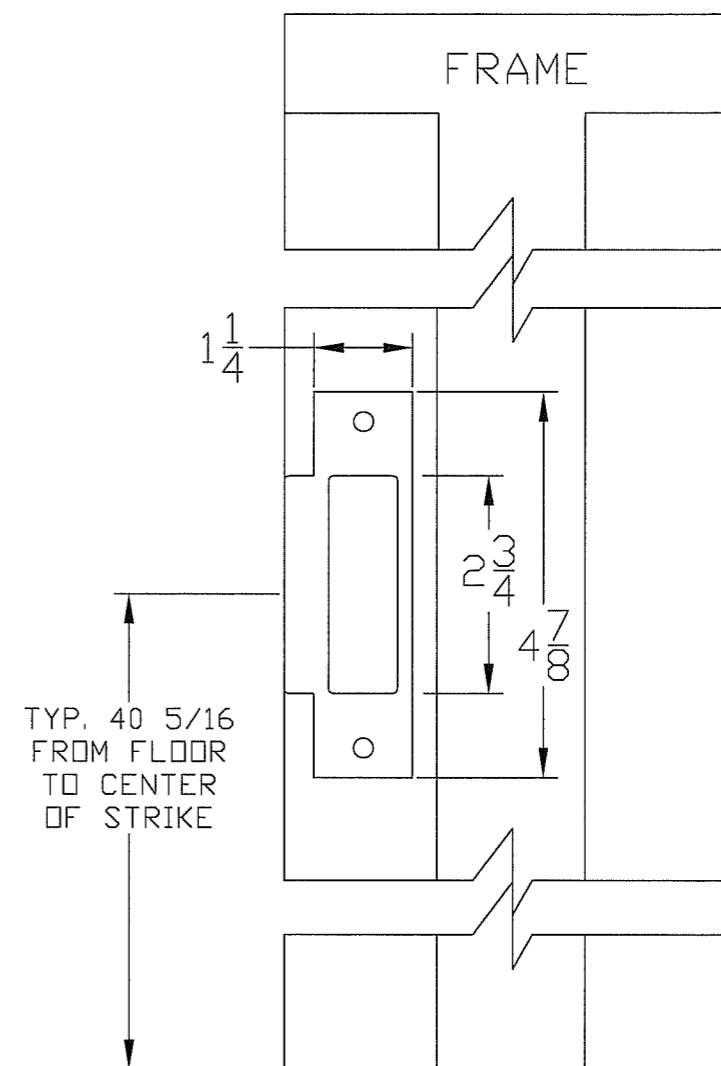


FIGURE 1



7/6 STRIKE DETAIL

4/6 MORTISE LOCK DETAIL

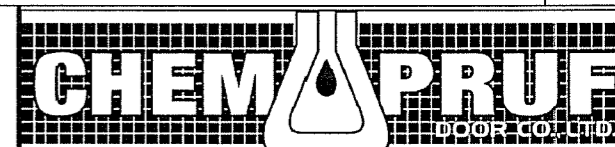
FOR FBC USE:

SCOTT WOLTERS
FL PE# 62354

WOLTERS ENGINEERING
(COA# 27194)
322 BUCHANAN #807
HOLLYWOOD, FL 33019
PH/FAX(954) 921-5828

SEAL: *Scott Wolters*

APR 30 2010



P.O. BOX 4560 BROWNSVILLE, TX 78523
1-800-444-6924 / FAX: (956) 544-7943
www.chem-pruf.com

FIBER GLASS SINGLE FLUSH FIRE DOOR
& MORTISE LOCK & STRIKE DETAIL

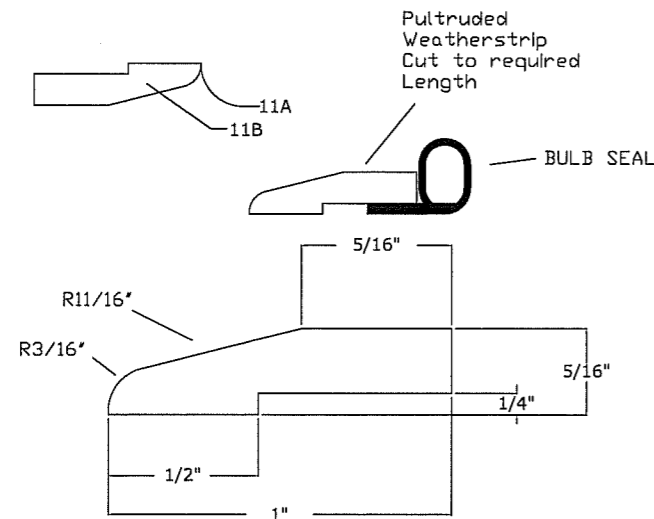
DWG. NO.:	FBC-TEST	PAGE:	6 OF 7
SCALE	DWN BY	REV. #	DATE
N.T.S.	G.M.	1	04/04/08

FRP WEATHERSTRIP

FEATURES AND CERTIFICATIONS

- . PULTRUDED WEATHERSTRIP.
- . CORROSION RESISTANT.
- . POST PAINTED TO MATCH DOOR COLOR.
- . BULB SEAL
- . SUPPLIED WITH STAINLESS STEEL FASTENERS.
- # 6 x 1 1/4 (12) PHP

#	DESCRIPTION
11A	STANDARD GELCOAT
11B	PULTRUDED WEATHERSTRIP

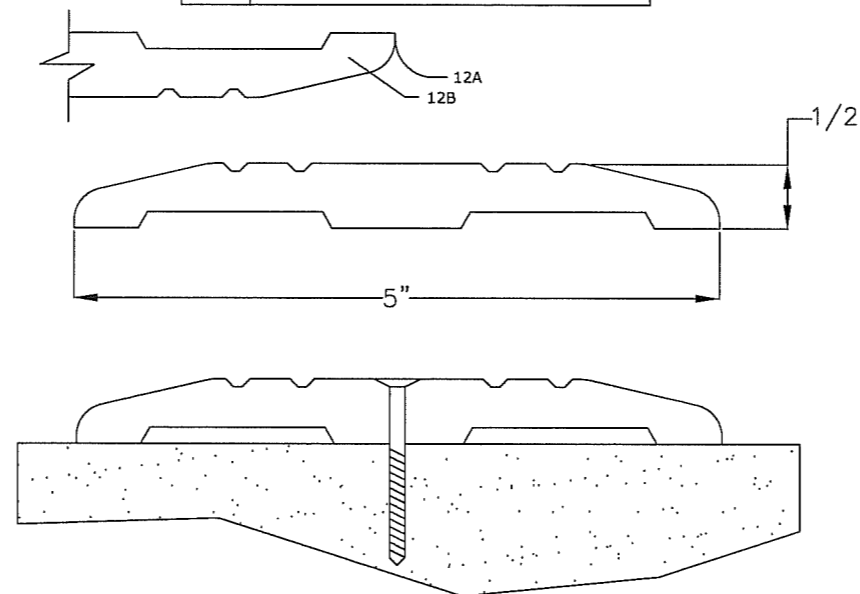


FRP THRESHOLD

FEATURES AND CERTIFICATIONS

- . MOLDED FIBERGLASS GROOVED THRESHOLD MANUFACTURES BY CHEM-PRUF.
- . CORROSION RESISTANT.
- . COLOR MOLDED IN (SPECIFY PREFERRED COLOR).
- . SADDLE TYPE, 5" WIDE BY 1/2" HIGH.
- . SUPPLIED WITH STAINLESS STEEL FASTENERS.
- #14 1 1/2 (4) OVAL HEAD PHP

#	DESCRIPTION
12A	STANDARD GELCOAT
12B	FRP THRESHOLD

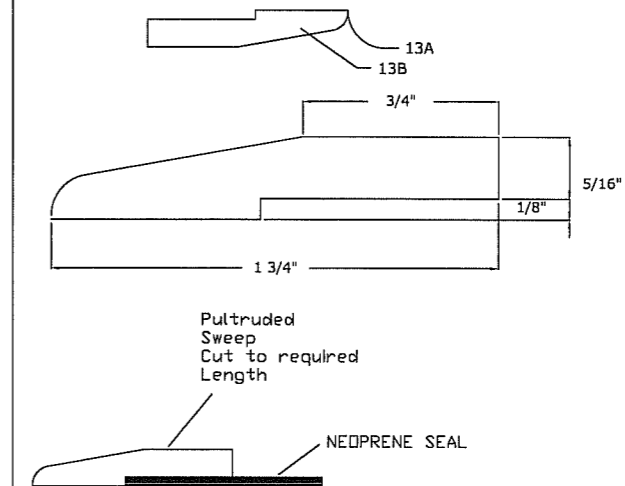


FRP DOOR SWEEP

FEATURES AND CERTIFICATIONS

- . MOLDED FIBERGLASS DOOR SWEEP
- . MANUFACTURES BY CHEM-PRUF.
- . CORROSION RESISTANT.
- . COLOR MOLDED IN TO MATCH DOOR.
- . NEOPRENE WIPER
- . SUPPLIED WITH STAINLESS STEEL FASTENERS.
- #8 1 1/4 (4) PHP

#	DESCRIPTION
13A	STANDARD GELCOAT
13B	FRP SWEEP



FOR FBC USE:

SCOTT WOLTERS
FL PE# 62354

WOLTERS ENGINEERING
(CDA# 27194)
322 BUCHANAN #807
HOLLYWOOD, FL 33019
PH/FAX:(954) 921-5828

SEAL: *Scott Wolters*

APR 30 2010



P.O. BOX 4560 BROWNSVILLE, TX 78523
1-800-444-6924 / FAX: (956) 544-7943
www.chem-pruf.com

FIBER GLASS SINGLE FLUSH FIRE DOOR
FRP ACCESSORIES

DWG. NO.:	FCB-TEST	PAGE:	7 OF 7
SCALE	DWN BY	REV. #	DATE
N.T.S.	G.M.	1	04/04/08