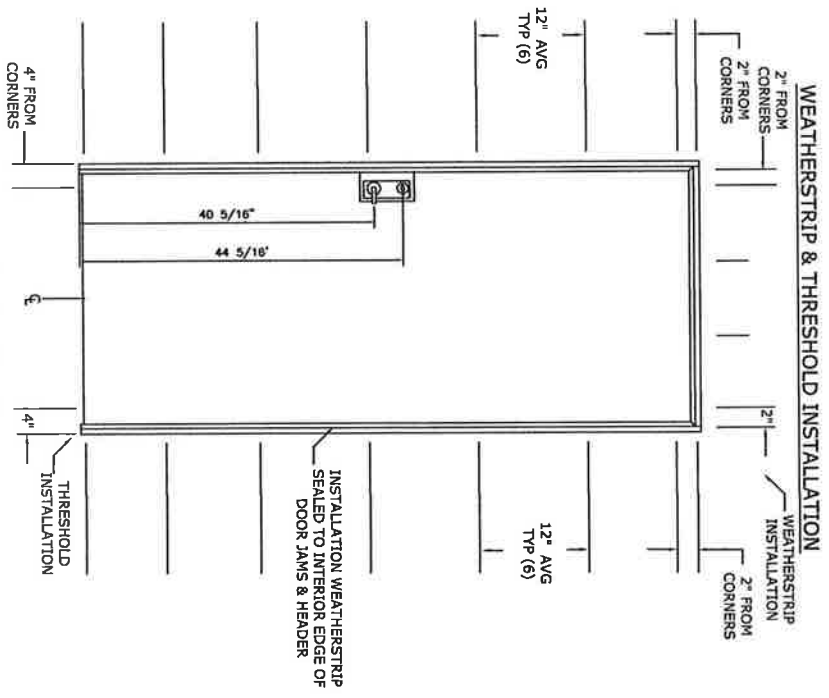
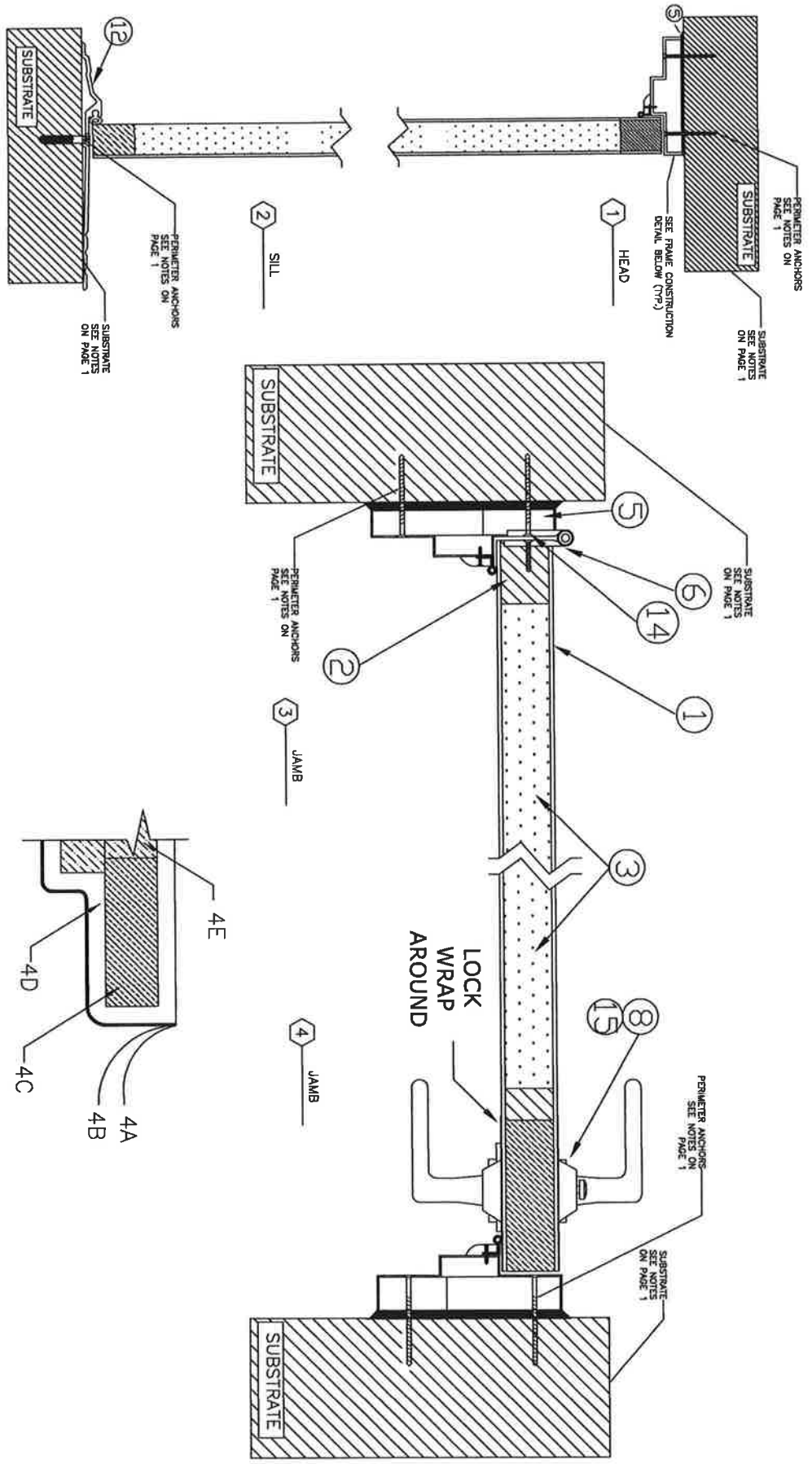


EXTERIOR VIEW
 FIBERGLASS SINGLE FLUSH
 INSWING/OUTSWING FIRE DOOR 3' X 7'
 ELEVATION AND ANCHOR LOCATIONS



INTERIOR VIEW
 FIBERGLASS SINGLE FLUSH
 INSWING/OUTSWING FIRE DOOR 3' X 7'
 WEATHERSTRIP & THRESHOLD
 INSTALLATION

REVISIONS		SCALE	
DATE	BY	DATE	BY
03/21/12	JMK		
EST. AMBA		EST. AMBA	
EST. W.T.		EST. W.T.	
EST. PERIAL		EST. PERIAL	
DATE	BY	DATE	BY
03/21/12	JMK		
MATERIAL		CHEM-PRUF DOOR CO. LTD	
P.O. BOX 4580, 5224 FM 802		P.O. BOX 4580, 5224 FM 802	
BROWNSVILLE, TX 77821		BROWNSVILLE, TX 77821	
FIBERGLASS FIRE SINGLE IS/OS DOOR		FIBERGLASS FIRE SINGLE IS/OS DOOR	
ELEVATIONS AND ANCHOR DETAILS		ELEVATIONS AND ANCHOR DETAILS	
DWG NO.	1003450	SHEET NO.	2 OF 5
EXTENSION NO.		REV.	



REVISIONS

NO.	DATE	BY	DESCRIPTION

SCALE: NTS

DWG NO. 100044D

SHEET NO. 3 OF 5

EXTRUSION NO. REV.

CHEM-PRUF DOOR CO. LTD
 P.O. BOX 4580, 5224 FM 802
 BROWNSVILLE, TX 77821

FIBERGLASS FIRE SINGLE IS/OS DOOR
 FBIC INSTALLATION DRAWINGS
 INSTALLATION DETAILS

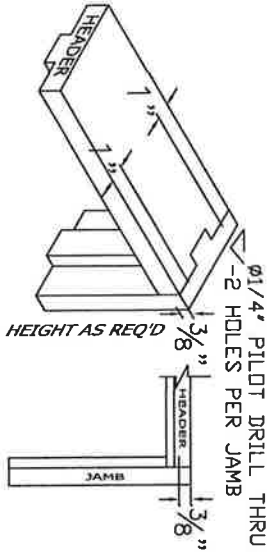
DESIGNED BY: JMR
 DATE: 03/21/12

EST. AREA
 EST. WT.
 EST. PERIML

MANUAL

FRAME CORNER ASSEMBLY

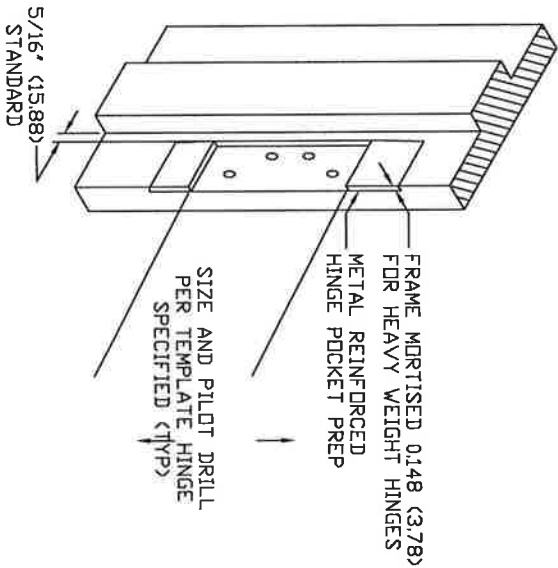
HEADER AND JAMBS ARE ATTACHED USING #10 x 2 1/2" FLAT HEAD PHILIPS SCREWS



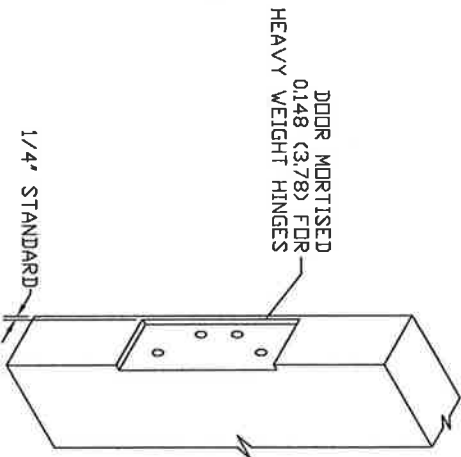
BILL OF MATERIAL

ITEM	DESCRIPTION	MATERIAL
1	FIRE RATED PLATE	
2	FIRE STOP	
3	MINERAL CORE	
4	STYLE 1 FRAME JAMB	
4A	FIRE RETARDANT GELCOAT	
4B	COMBIFLOW MAT	
4C	FIRE STOP CORE	
4D	FIRE RETARDANT RESIN	
4E	MINERAL CORE	
5	CAULK MATERIAL (RTD Seal -Silicone-)	
6	HINGE, FM STAN FBB 191 4.5 X 4.5 NRP	
7	1/4"-20 SELF DRILLING SCREW	
8	SARGENT 7500 INTERCONNECTED LOCK	
9	CMU WALL CONSTRUCTION	
10	STYLE 1 HEADER	
10A	FIRE RETARDANT GELCOAT	
10B	COMBIFLOW MAT	
10C	FIRE STOP CORE	
10D	FIRE RETARDANT RESIN	
11	CHEM-PRUF FIRE RATED WEATHERSTRIP	
11A	STANDARD GELCOAT	
11B	PULTRUDED WEATHERSTRIP	
12	NGP 896V PANIC TYPE THRESHOLD	
13	WRAP-AROUND 943-S-CW SS	
14	1/4"-20 SELF DRILLING SCREW	

FRAME HINGE RABBET



DOOR HINGE RABBET



REVISIONS

NO.	DATE	BY	DESCRIPTION
1	03/21/12	JMR	ISSUE FOR CONSTRUCTION

CHEM-PRUF DOOR CO. LTD
P.O. BOX 4580, 5224 FM 802
BROWNSVILLE, TX 77821

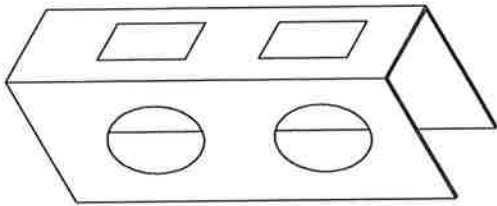
SCALE: NTS
DWG NO. 100345D

FIBERGLASS FIRE SINGLE (S/OS) DOOR
FBC INSTALLATION DRAWINGS
HARDWARE DETAILS AND BOM

SHEET NO. 4 OF 5
EXPIRATION NO. REV.

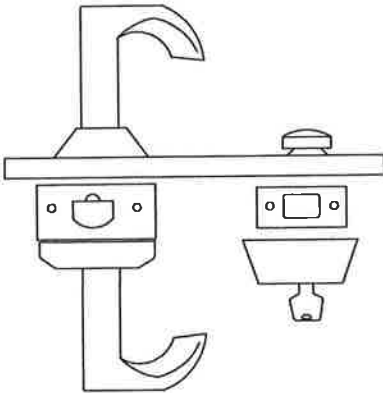
**WRAP-AROUND
943-S-CW DON-JO
STAINLESS STEEL**

- HELPS PREVENT FORCED ENTRY
- ADDS STRENGTH TO MOST DOORS



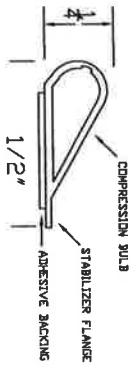
**SARGENT
7500 INTERCONNECTED
LOCK**

- KEY IN DEADBOLT CYLINDER
- OUTSIDE RETRACTS AND PROJECTS DEADBOLT EITHER SIDE
- LEVER TURN INSIDE, RETRACTS AND PROJECTS DEADBOLT
- LEVER INSIDE RETRACTS BOTH LATCHBOLT AND DEADBOLT
- MULTIPLE DEADBOLT



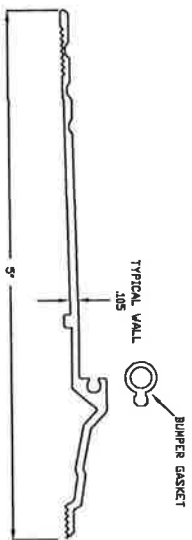
ADHESIVE SILICONE SEAL

- FEATURES AND CERTIFICATIONS**
- ADHESIVE BACKED DOOR GASKET
 - WEATHERS RIPPIING
 - BEGINS COMPRESSING AT 1/4" AND CAN BE COMPRESSED SUFFICIENTLY TO SEAL OPENING WITH 3/8" GAPS - WILL NOT STAY FLEXIBLE WELL BELOW -100 DEGREES FAHRENHEIT AND RELLENT ABOUT 400 DEGREES FAHRENHEIT.
 - IMPERVIOUS TO FUNGUS AND MILDEW.



NGP 896V PANIC TYPE THRESHOLD

- FEATURES AND CERTIFICATIONS**
- ALUMINUM FINISH
 - MEETS THE REQUIREMENTS OF ANSI A156.21
 - UL LISTED
 - THE BUMPER GASKET IS MADE OF VINYL AND IS USED TO PROVIDE A SEAL AGAINST THE DOOR AND INCREASE THE WEATHER RESISTANCE OF THE THRESHOLD.



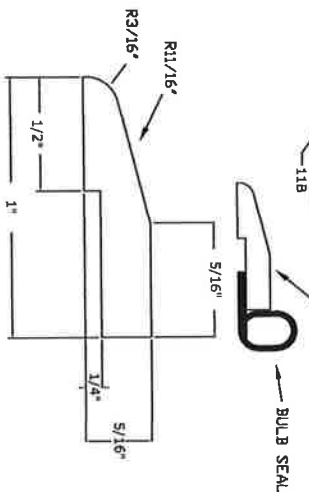
**FRP
WEATHERSTRIP**

- FEATURES AND CERTIFICATIONS**
- PULTRUDED WEATHERSTRIP.
 - CORROSION RESISTANT.
 - POST PAINTED TO MATCH DOOR COLOR.
 - SUPPLIED WITH STAINLESS STEEL FASTENERS.
 - # 6 x 1 1/4 Q23 PHF

#	DESCRIPTION
11A	STANDARD GELCOAT PULTRUDED WEATHERSTRIP
11B	WEATHERSTRIP

COMPRESSION BULB

Pultruded Weatherstrip Cut to required Length



REVISIONS

NO.	DATE	DESCRIPTION
1	03/21/12	DESIGN BY JMR
2		
3		
4		
5		

CHEM-PRUF DOOR CO. LTD

P.O. BOX 4580, S224 PM 802
BROWNSVILLE, TX 77821

FIBERGLASS FIRE SINGLE IS/OS DOOR
FBC INSTALLATION DRAWINGS
HARDWARE DETAILS

SCALE
NFS

DWG NO.
1001450

SHEET NO. 5 OF 5

EXTENSION NO.

REV.