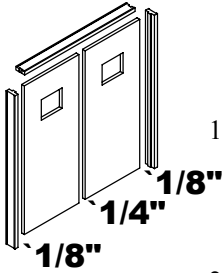


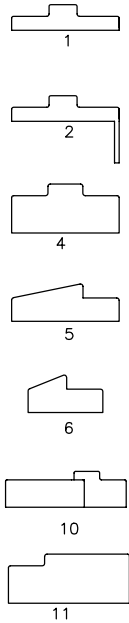
## CP2 FIRE RATED DOUBLE DOOR

### Style 1, 2, 4, 5, 6, 10 & 11 Knock Down Double Door and Frame By Chem-Pruf®

#### Fire Rated



1. Set the crate, which will be marked with the specific opening location, at the opening. Remove parts from crates and check for damage. Notify Chem-Pruf® at 1-800-444-6924 if parts are missing. Fire Rated Doors must be installed per these instructions and NFPA #80.
2. Check plans for swing and location of jambs in structure. 3 1/2" minimum wall thickness.
3. Fasten jambs to header with 1/4" x 3" stainless steel lag bolts/screws in pre-drilled holes in jambs and header. Check marks on header and jambs.
4. Carefully raise jamb assembly into opening. Place spanner between jamb legs at floor.
5. Plumb jambs and level header - use shims to hold in place.
6. Frame shall be tightly shimmed at each hinge location and at each frame screw. (Frame screws are provided with frame.) Two (2) beads of fire-rated caulking compound shall be injected behind each jamb member after setting frame in rough opening. In addition to frame screws through field drilled holes, one 1/4x4 Crete-Flex stainless steel frame screw shall replace one hinge screw at each hinge location and two 1/4x4 Crete-Flex screws through the strike for single swing door frames.  
**Note:** Hinge and strike counter sink must be deepened for Crete-Flex. Set frame with supplied anchors. Field drill 1/4" hole into frame and counter sink all holes 82°, so anchor head will be flush with frame. Place anchors so that they penetrate solid structure. Use desired method listed below.
7. Use desired anchoring method. Counter sink all holes 82 degrees so fastener head will be flush with frame.
  - a. **CMU - Recommended Method**  
**Rabbit Anchors** - Field drill 1/4" hole in both jamb rabbets and header. Drill 2" into solid structure with supplied .234 masonry bit. Place fastener 5" or 6" from each end of jamb and header and as shown on drawing #1. Drill for balance of anchors at 16"o.c. staggered in rabbets.



O.K. TO RELEASE    MANAGEMENT: \_\_\_\_\_    DATE: \_\_\_\_\_  
 PRODUCTION: \_\_\_\_\_    DATE: \_\_\_\_\_  
 COST CONTROL: \_\_\_\_\_    DATE: \_\_\_\_\_

NO PART OF THIS DRAWING MAY BE REPRODUCED, STORED IN A RETRIEVAL SYSTEM, OR TRANSMITTED IN ANY FORM OR BY ANY MEANS, ELECTRONIC, MECHANICAL, PHOTOCOPYING, RECORDING OR OTHERWISE, WITHOUT THE PRIOR WRITTEN CONSENT OF CHEM-PRUF® DOOR CO., LTD.

THE DATA CONTAINED IN THIS PUBLICATION IS FOR THE CONFIDENTIAL USE OF THE PURCHASER ONLY. THIS DATA IS NOT TO BE SOLD OR OTHERWISE PROVIDED TO THIRD PARTIES IN ANY FORM.

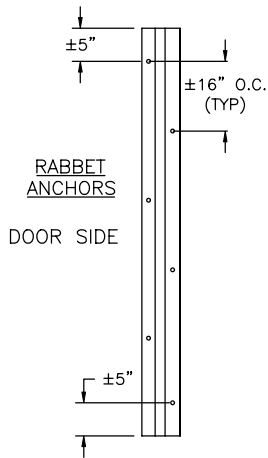
© COPYRIGHT CHEM-PRUF® DOOR CO., LTD. 2002  
 U.S. PATENT #'S 4374693, 4429498, 5072561



P.O. BOX 4560 BROWNSVILLE, TX 78523  
 1-800-444-6924 / FAX: (956) 544-7943  
 www.chem-pruf.com

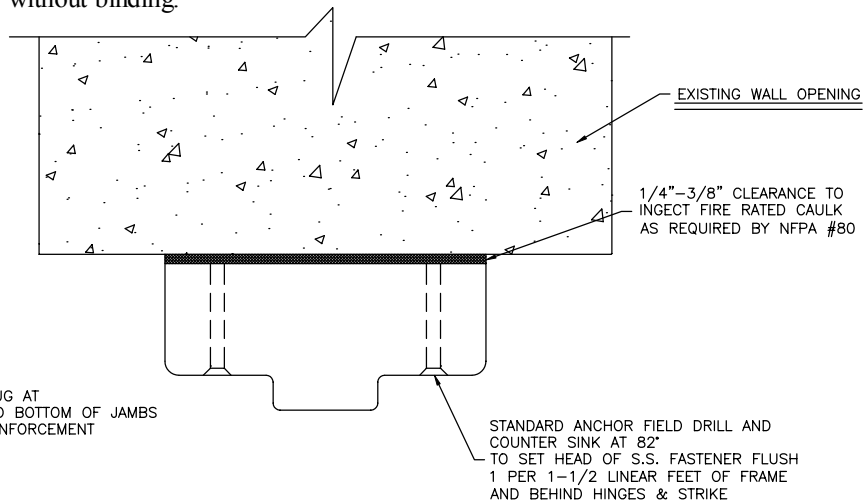
STYLE 1,2,4,5,6,10 & 11 KNOCKED DOWN  
 DOUBLE DOOR AND FRAME BY CHEM-PRUF®  
 (FIRE RATED)

DWG. NO: INSTALLATION INSTRUCTIONS 14-6		PAGE: 1 OF 2	
SCALE	DWN BY	REV. #	DATE
N.T.S.	MDC	3	02/26/02



- b. *Metal/Wood* - (#14 Sheet Metal Screws)  
Same as above except field drill pilot hole for supplied screws. Use #12 stainless steel screw to replace one hinge screw at each hinge and 2 #12 stainless steel screw through strike.
- c. *Steel* - (1/4"-20 Machine Screws)  
Same as "b" except field drill & tap steel structure 1/4-20 to accept supplied screws.

8. Apply small amount of silicone under each counter sunk anchor and snug up. Shim as necessary to hold, plumb and level.
9. Remove spanner.
10. Hang door. Be sure match marks all agree on door.
11. Adjust shims and anchors, if necessary, to maintain clearances.
12. Caulk as specified by NFPA #80.
13. Install accessories if required. If field installing mortise type latch set or flush bolts wrap with 1/16" ceramic fiber insulation supplied.
14. Depending on conditions it may be necessary to shim hinge leaves to maintain required 1/8" door to jamb clearance. Adjust as required so doors swing freely without binding.



O.K. TO RELEASE    MANAGEMENT: \_\_\_\_\_    DATE: \_\_\_\_\_  
 PRODUCTION: \_\_\_\_\_    DATE: \_\_\_\_\_  
 COST CONTROL: \_\_\_\_\_    DATE: \_\_\_\_\_

NO PART OF THIS DRAWING MAY BE REPRODUCED, STORED IN A RETRIEVAL SYSTEM, OR TRANSMITTED IN ANY FORM OR BY ANY MEANS, ELECTRONIC, MECHANICAL, PHOTOCOPYING, RECORDING OR OTHERWISE, WITHOUT THE PRIOR WRITTEN CONSENT OF CHEM-PRUF® DOOR CO., LTD.

THE DATA CONTAINED IN THIS PUBLICATION IS FOR THE CONFIDENTIAL USE OF THE PURCHASER ONLY. THIS DATA IS NOT TO BE SOLD OR OTHERWISE PROVIDED TO THIRD PARTIES IN ANY FORM.

© COPYRIGHT CHEM-PRUF® DOOR CO., LTD. 2002  
 U.S. PATENT #'S 4374693, 4429498, 5072561

P.O. BOX 4560 BROWNSVILLE, TX 78523  
 1-800-444-6924 / FAX: (956) 544-7943  
 www.chem-pruf.com    TITLE

STYLE 1,2,4,5,6,10 & 11 KNOCKED DOWN  
 DOUBLE DOOR AND FRAME BY CHEM-PRUF®  
 (FIRE RATED)

DWG. NO:	INSTALLATION INSTRUCTIONS 14-6	PAGE:	2 OF 2
SCALE	DWN BY	REV. #	DATE
N.T.S.	MDC	3	02/26/02