

PHONE: 1-800-444-6924 - FAX: (956) 544-7943 - E-MAIL: INFO@CHEM-PRUF.COM **QUOTE BY:** _____

Date: _____ Company: _____ Contact: _____
 Telephone No.: _____ Fax No.: _____ **PROJECT/OWNER:** _____
 E-mail: _____ Shipping Address: _____
 Billing Address: _____

CUSTOMER NOTES:

DOOR LOCATION _____

DOOR NO. _____ INTERIOR EXTERIOR

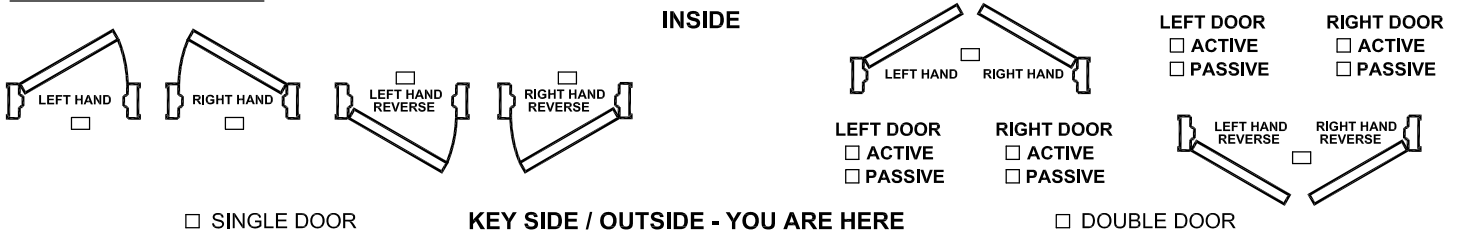
DOOR SIZE

SINGLE DOOR _____ W x _____ H WALL OPENING _____ W x _____ H
 DOUBLE DOOR _____ W x _____ H WALL OPENING _____ W x _____ H

COLOR STD. COLORS

FDA WHITE LIGHT GREY
 CAMEL TAN DARK BROWN
 C.P. OPTION COLOR No. _____
 (SEE COLOR CHART)
 CUSTOM COLOR
 NAME: _____

HAND OF DOOR



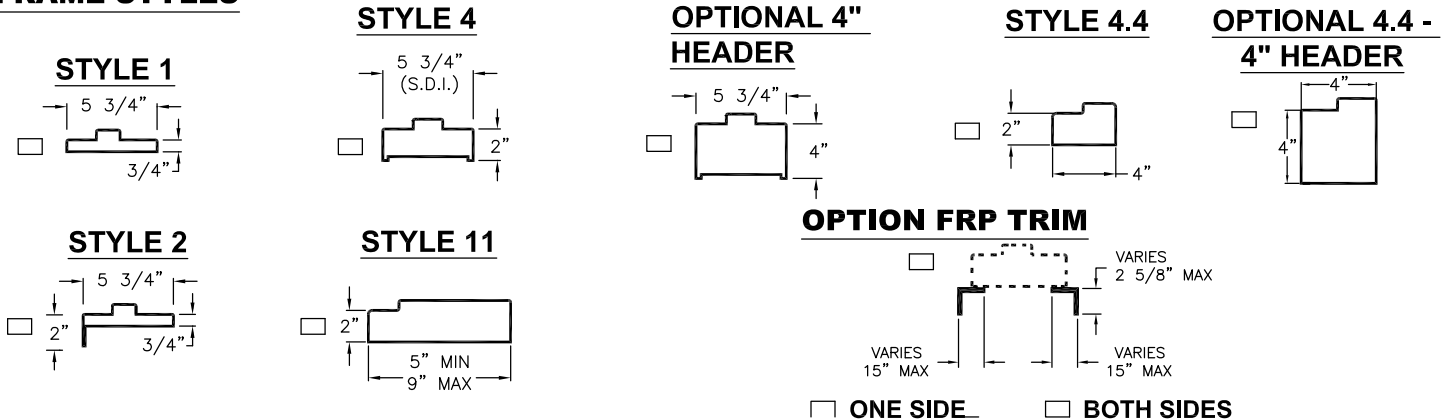
DOOR FINISH

STD. FINISH SEMIGLOSS LEATHER HAMMERED
 HIGH GLOSS EGG SHEEL MATTE FINE PEBBLE TREEBARK
 OTHER OPTIONS SUBJECT TO SIZE:
 RAISED 6 PANEL EMBOSSED 6 PANEL CUSTOM OTHER: _____

WALL MATERIAL

CONCRETE MASONRY STEEL
 WOOD OTHER: _____
 METAL STUD
 WALL THICKNESS: _____

FRAME STYLES



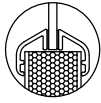
PHONE: 1-800-444-6924 / FAX: (956) 544-7943

FORM AT WWW.CHEM-PRUF.COM/ORDERFORMS **ORDER FORM SHEET 1 OF 2**
 E-MAIL: INFO@CHEM-PRUF.COM

PHONE: 1-800-444-6924 - FAX: (956) 544-7943 - E-MAIL: INFO@CHEM-PRUF.COM QUOTE BY: _____

DOOR LITES

WXL RUGGED WINDOW & RETAINER



WXL RUGGED DOOR LITE _____ W x _____ H
 1/4" OR 1/2" THICK GLAZING OR OTHER _____

GLASS & GLAZING

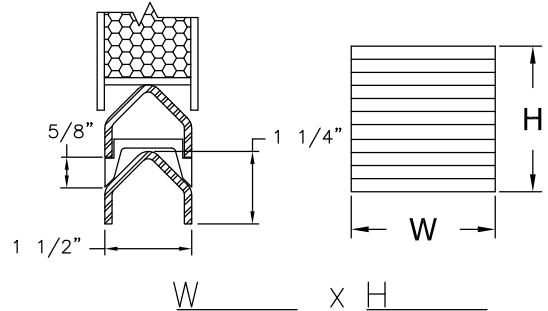
- 1/4" TEMPERED 1/4" LEXAN
 1/4" LAMINATED 1/2" INSULATED
 1/4" WIRE GLASS OTHER: _____

SLIMLINE WINDOW & RETAINER

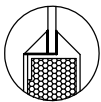


SLIMLINE DOOR LITE _____ W x _____ H
 1/4" THICK GLAZING

FRP DOOR LOUVERS



PHARMACEUTICAL WINDOW & RETAINER



- 12" X 12" 20" X 67"
 6" X 24" 10.5" ROUND
 20" X 24" 14.5" ROUND
 24" X 30" 1/4" THICK GLAZING

THRESHOLD SELECTIONS:

- 1/2" FIBERGLASS GROOVED SADDLE TYPE (COLOR OF DOOR) PANIC TYPE NGP 896 V AL
 OTHER _____

WEATHERSTRIP

- FIBERGLASS (COLOR OF DOOR) PEMKO S88D PEMKO S88W

ASTRAGAL FOR DOUBLE DOORS

- FIBERGLASS W/SEAL (COLOR OF DOOR) FIBERGLASS SPLIT SEAL (COLOR OF DOOR) OTHER _____

DOOR SWEEP

- FIBERGLASS (COLOR OF DOOR) OTHER _____

HARDWARE

SUPPLY & INSTALL

PREP/REINF ONLY

- F.M. HINGES CHEM-PRUF STD WEIGHT SS (4 1/2"x4 1/2")
 CONT. HINGES CHEM-PRUF STANDARD SS (1X #304)
 PASSAGE SET SARGENT: 10U15 LP US26D
 PUSH PULL TRIMCO US32D 1001-3/1017-3B
 CYL. LOCK SARGENT: 10G05 LP US26D
 MORTISE LOCK SARGENT: 8205 LNJ US32D
 CLOSER NORTON 7500 AL
 RIM PANIC DEVICE - SGT - 8813 ETJ US32D
CLOSER 7500 SS
 KICK PLATE TRIMCO 304 S.S. 0.050 US32D
 8" 10"
 FLUSH BOLT TRIMCO 3917-12 PR. US26D
 SURFACE BOLT TRIMCO 3922 8" US32D
 DEADBOLT SARGENT 475 (KEY X T.T.) US26D

OTHER HARDWARE DESCRIBE:

Other Hardware Options Available - Call For Details

1-800-444-6924 / FAX: (956) 544-7943

FORM AT WWW.CHEM-PRUF.COM/ORDERFORMS

ORDER FORM SHEET 2 OF 2