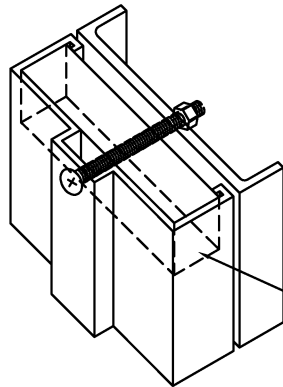
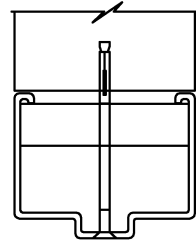


OPTION B-BM
BUTTED MASONRY

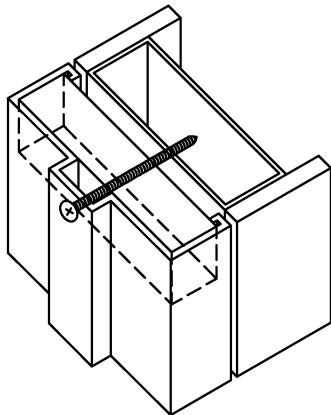


OPTION B-BS
BUTTED STEEL

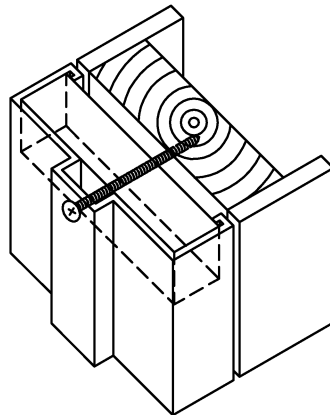
ANCHOR
COMPRESSION
BLOCK (TYP.)



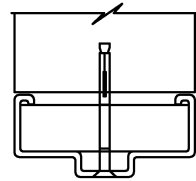
4" HEAD ANCHOR
WHERE REQUIRED



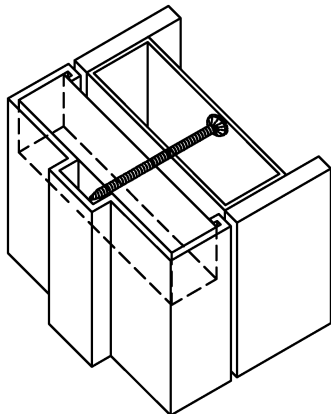
OPTION B-MS1
BUTTED METAL STUD



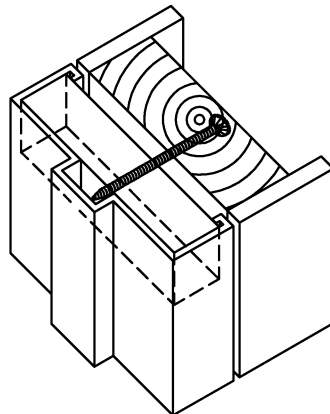
OPTION B-WS1
BUTTED WOOD STUD



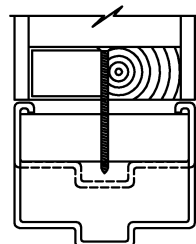
2" HEAD ANCHOR
WHERE REQUIRED



OPTION B-MS2
BUTTED METAL STUD



OPTION B-WS2
BUTTED WOOD STUD



2" OR 4" HEAD ANCHOR
WHERE REQUIRED

NOTES: STANDARD ROUGH OPENING IS AS FOLLOWS:
OVERALL FRAME WIDTH PLUS 1/2"
OVERALL FRAME HEIGHT PLUS 1/4"

ALL HOLES IN DOOR STOP ARE FACTORY
PRE-DRILLED AND COUNTERSUNK.

CHEM/PRUF

FIBERGLASS DOOR FRAME
BUTTED WALL ANCHORING DETAILS

DATE 2/25/20	SCALE	
DWG NAME BUTTANCHORING	DRAWN BY BG	