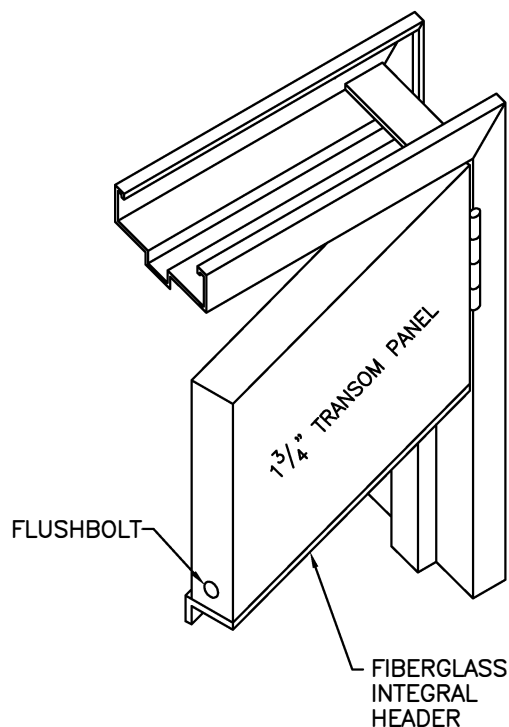
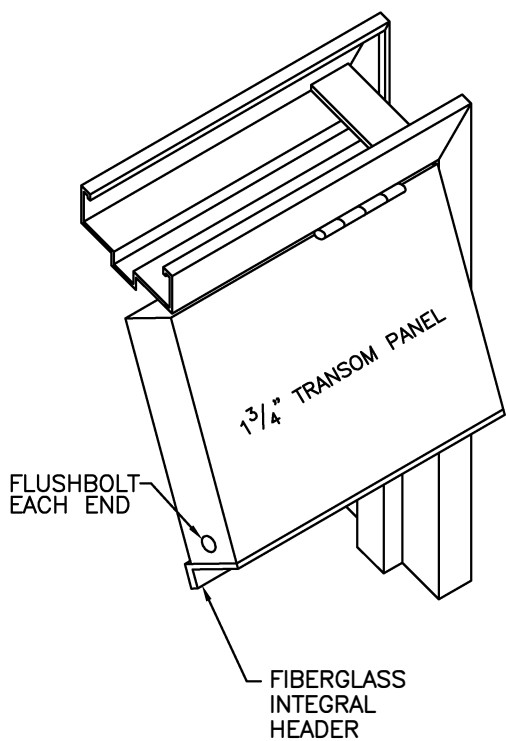


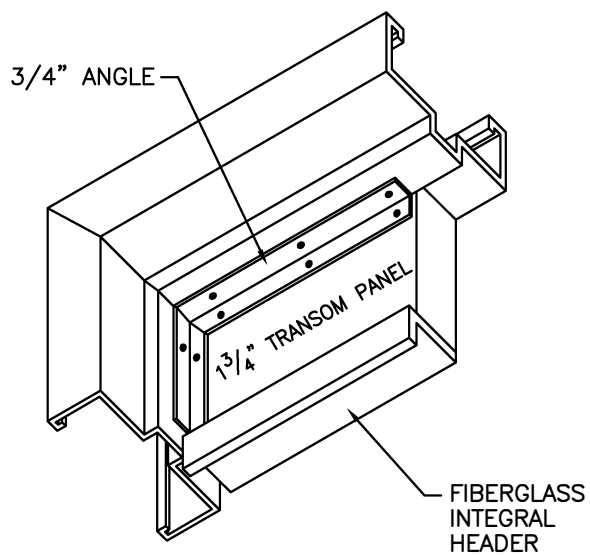
OPTION TA1  
INTERIOR VIEW LOOKING UP



OPTION TA2  
EXTERIOR VIEW LOOKING DOWN



OPTION TA3  
EXTERIOR VIEW LOOKING DOWN



OPTION TA4  
INTERIOR VIEW LOOKING UP



| FIBERGLASS TRANSOM TYPES AND ATTACHMENT METHODS |          |  |
|---|----------|--|
| DATE  | SCALE    |  |
| 2/25/20   |          |  |
| DWG NAME  | DRAWN BY |  |
| TRANSOMATTACH1                                  | BG       |  |