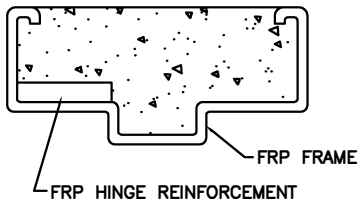
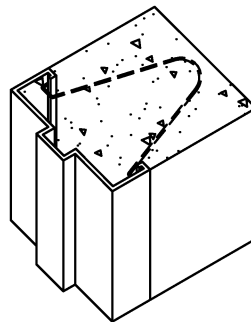


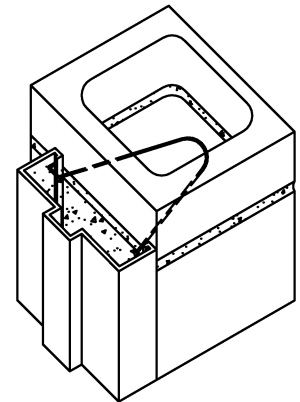
FIRE RATED FRAME PROFILES



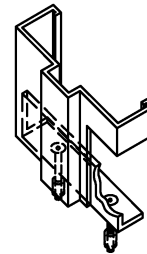
FIRE RATED FRAME SECTION



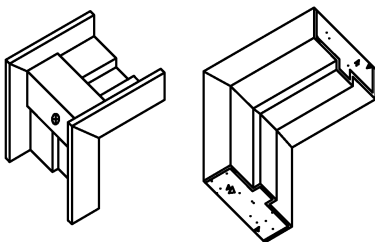
OPTION GWA-CIP



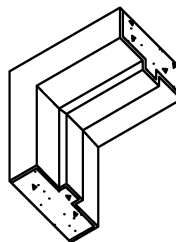
OPTION GWA-CMU



FLOOR ANCHOR
FIRE RATED FRAME ANCHOR



STANDARD KD
KNOCK DOWN
NEW WALL CONSTRUCTION ONLY



OPTION WF
CHEMICALLY WELDED FACE
NEW WALL CONSTRUCTION ONLY

FIRE RATED GROUTED FRAME HEAD/JAMB ATTACHMENT OPTIONS



FIRE RATED FIBERGLASS DOOR FRAME DETAILS FOR GROUTED INSTALLATION		
DATE 2/25/20	SCALE NONE	
DWG NAME RATEDFRAMEGWA	DRAWN BY BG	