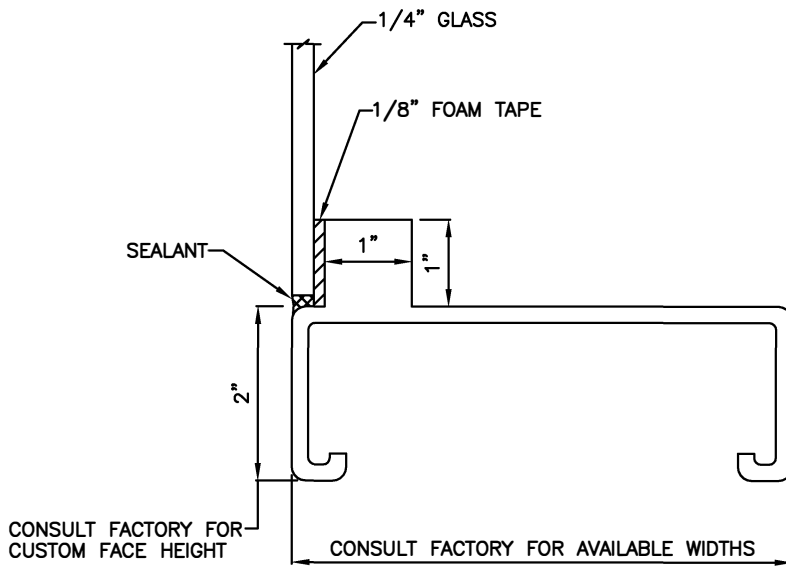


DOUBLE GLAZED
PHARMACEUTICAL FIXED SASH



SINGLE GLAZED
PHARMACEUTICAL FIXED SASH



FIBERGLASS FIXED SASH/PHARMACEUTICAL		
DATE	SCALE	
4/14/20	NONE	
DWG NAME	DRAWN BY	
PHARMSASH	BG	