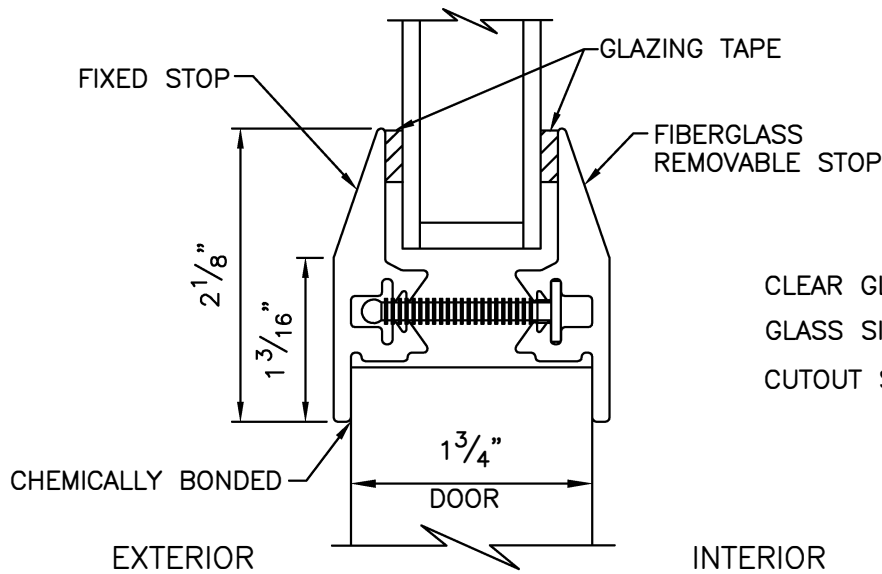


CLEAR GLASS OPENING: X x Y
 GLASS SIZE: X+1 1/2", Y+1 1/2"
 CUTOUT SIZE: X+2 3/4", Y+2 3/4"

1/4" to 3/8" GLASS

NO EXPOSED FASTENERS STANDARD
 SECURITY FASTENERS AVAILABLE
 CONTACT FACTORY FOR DETAILS



CLEAR GLASS OPENING: X x Y
 GLASS SIZE: X+1 3/4", Y+1 3/4"
 CUTOUT SIZE: X+3 1/2", Y+3 1/2"

3/4" to 1" GLASS

NO EXPOSED FASTENERS STANDARD
 SECURITY FASTENERS AVAILABLE
 CONTACT FACTORY FOR DETAILS

NOTE: CHEM-PRU PULTRUSION STANDARD WINDOW KIT
 SIZES ARE 12x12, 8x30, 24x24, 24x30.

CUSTOM SIZES ARE AVAILABLE, PLEASE CALL
 FACTORY FOR DETAILS.

ALL GLAZING CAN BE FACTORY OR
 FIELD INSTALLED.



FIBERGLASS WINDOW KIT		
DATE 2/25/20	SCALE NONE	
DWG NAME TWOPCWINDOW	DRAWN BY BG	